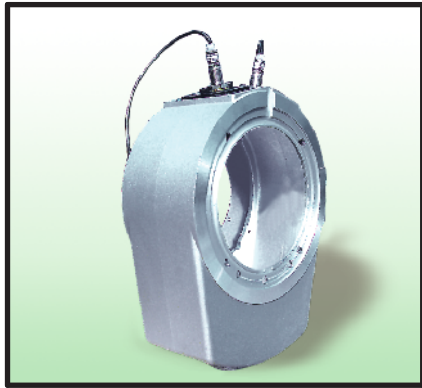


# 集水盒與行程確認裝置



## COOLANT COLLECTOR WITH STROKE CONTROL

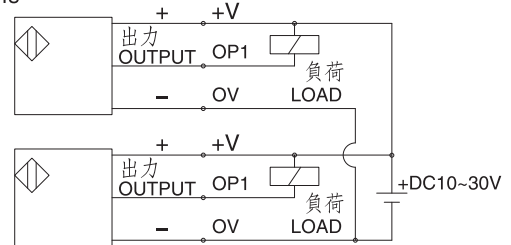


型式 Model	TLX-12N02E1-C (KFPS)
規格 Spec.	
電壓 Power supply	DC 10/30V
負荷容量 Switching cap.	200 mA
輸出規格 Output type	NPN

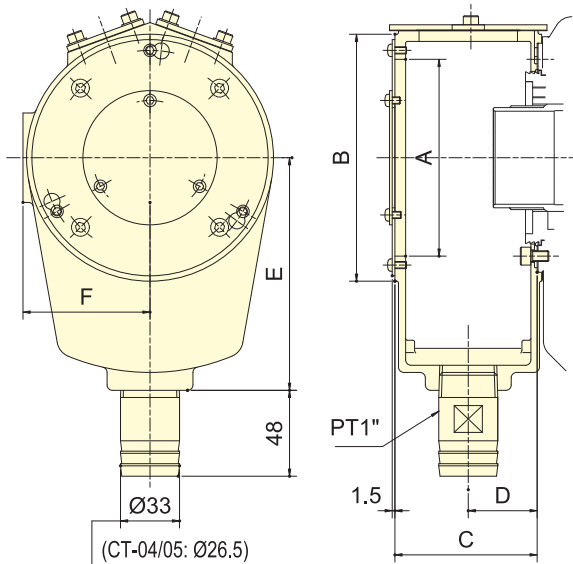
- 近接開關是選購品
- The proximity switch is optional.

### 端子連接 Terminal Connections

型式 Model	TLX-12N02E1-C (KFPS)
符號 Mark	
OP2	黑 BLACK
+V	棕 BROWN
OV	藍 BLUE
OP1	黑 BLACK



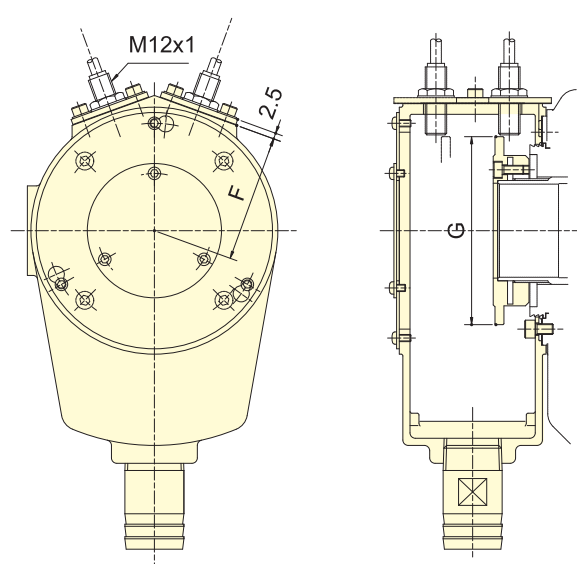
### CT



集水盒  
Coolant Collector

保留規格修改的權利  
Subject to technical changes.

### CT-S



集水盒與檢出環  
Coolant Collector with Detecting Ring

寸法 Size 型號 Model	A	B	C	D	E	F	G	重量kg Weight		適用油壓缸 Matching cyl.
								CT	CT-S	
CT-04/CT-04S	87	110	60	29	110	57	79	0.9	1.1	TH-428
CT-05/CT-05S								84	TH-536, TK-528, TK-533	
CT-06/CT-06S	100	125	74	36	120	64.5	94	1.2	1.6	TH-646, TK-643, TK-646
CT-08/CT-08S	110	138	80	39	130	71	105	1.3	1.8	TH-846, TH-852, TK-846, TK-852
CT-H10/CT-H10S										TH-1068, TH-1075
CT-K10/CT-K10S	158	185	88	43	160	94.5	145	1.9	2.6	TK-1068, TK-1075, TK-1078
CT-12/CT-12S										TH-1291, TK-1287, TK-1291
CT-15/CT-15S	206	235			210	121	196	3.1	4.3	TH-1512, TK-1511, TK-1512
CT-21/CT-21S	226	255				131	210	3.3	4.6	TK-2114
CT-24/CT-24S	250	270	100	50	230	154	248	3.5	5.5	TK-2416, TK-2416L
CT-28/CT-28S	310	330			260	181	305	4.3	7.2	TK-2820