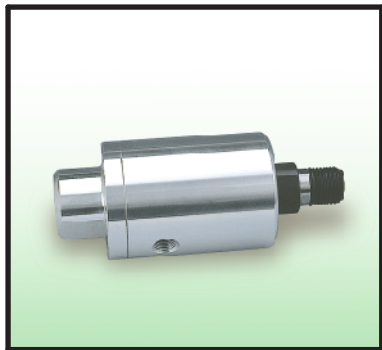


冷卻液迴轉接頭內附止水閥自動開閉機構

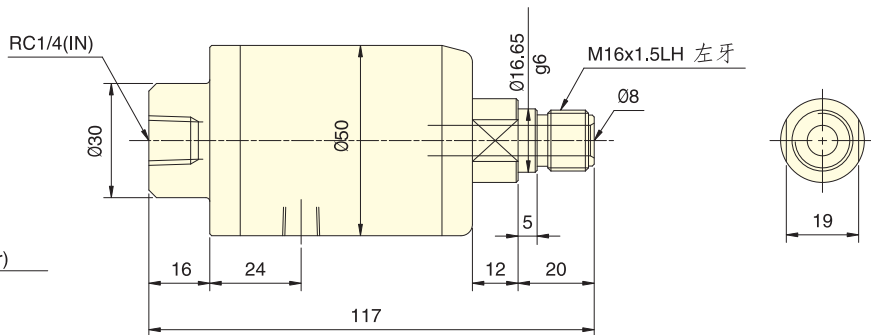
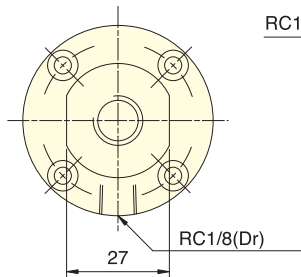
RJ-90

COOLANT ROTATING JOINT WITH AUTOMATIC ON/OFF SEAL



Model RJ-90

- 高轉數，高壓力用冷卻液迴轉接頭。
- 內部止水閥使用超硬合金及精密陶瓷相配對，耐磨耗性特佳。
- 運轉時如無流體通過，則止水閥自動脫離，使止水閥不致乾磨而損壞。
- Coolant joint for high speed, high pressure and medium delivery.
- Usable for oil and water-soluble coolant.
- Seal bushing inside is made of cemented carbide and ceramics, which provide higher wear-resistance.
- The seal will depart automatically if no liquid passes during operation, and will not be damaged due to dry touching.



PV 限制值

PV Limit value 17500 Mpa·r/m .

保留規格修改的權利

Subject to technical changes.